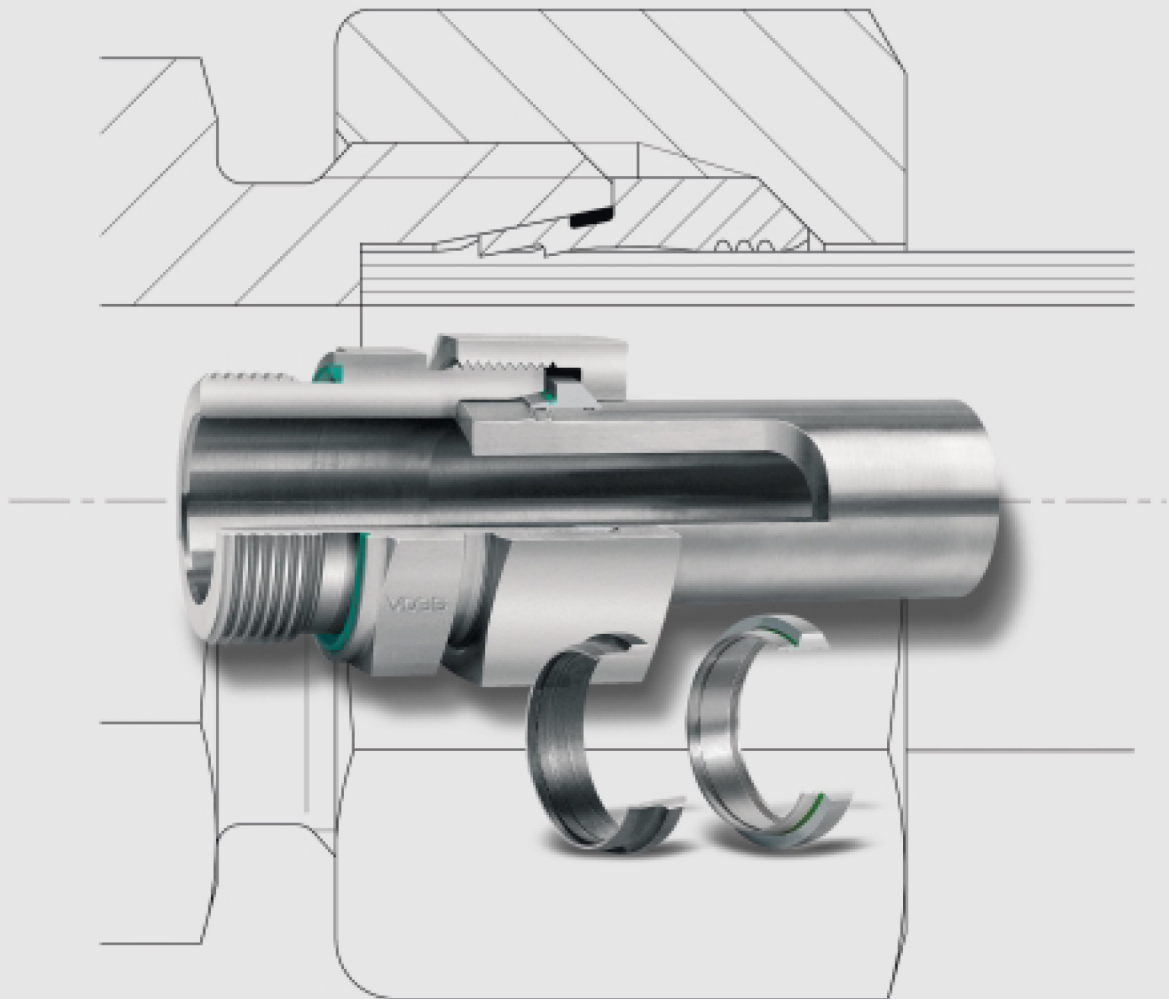


Cutting ring couplings in stainless steel (1.4571)

The complete VOSS product range according to DIN EN ISO 8434-1 in stainless steel



Cutting ring couplings in stainless steel (1.4571)



Stainless steel couplings protect the environment or from environmental influences – depending on the field of application. Safe technology is the most important issue in this demanding area.

The complete product range according to DIN EN ISO 8431-1 in stainless steel is now available at VOSS: Cutting ring couplings with two edges or soft sealed from

6 to 42 mm outside tube diameter. Stud couplings with metal or PEFLEX seal, with a variety of different threads. VOSS offers a full range of straight and form parts. 24° taper couplings, adjustable couplings, valves and throttle-free banjo couplings.

Everything is of well-known high quality, with the same superior technology and always on the highest logistic level.

The design of the well-approved VOSS components was adapted to stainless steel to meet the demands regarding assembly feasibility as well as safety functions in the same way.

VOSS stainless steel products are approved by the main national and international organisations such as Germanischer Lloyd, Det Norske Veritas, American

Bureau of Shipping, Bureau Veritas, Lloyds Register of Shipping, Deutscher Verein des Gas- und Wasserfaches e.V.

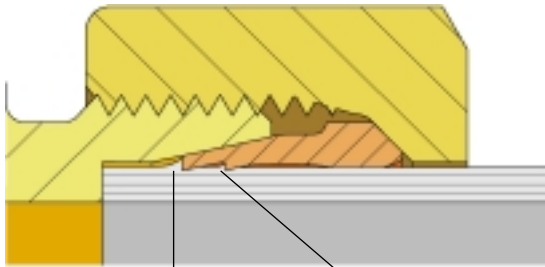


Typical fields of application are the chemical industry and offshore and marine technology. But in other fields such as railway technology stainless steel couplings are frequently used as well.

VOSS offers both



Standard cutting ring
2S VA

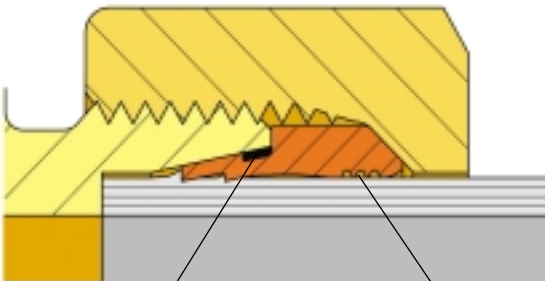


first strong edge

second edge cuts in later



ES-4 VA cutting ring
for maximum safety



gap-free chambered soft seal
in the secondary zone

labyrinth seal effect
at the tube

2-edge cutting ring 2S VA
and soft seal cutting ring
ES-4 VA in stainless steel.

The standard cutting ring
with two edges to ensure
safe fitting of the tube.

The first edge produces a
stable material wall. This
ensures the safe hold of the
tube. The second edge pro-

vides additional safety at high
dynamic loads. It cuts in after
the first edge and thus keeps
the mounting forces in bal-
ance. The elastic behaviour of
the cutting ring maintains the
pre-tension of the assembly
forces and prevents leakage
caused by settling effects or
pressure peaks.

The soft seal cutting ring
ES-4 VA for maximum safety
against leakage.

Especially in applications with
toxic fluids 100% prevention of
leakage is absolutely neces-
sary to protect the environment.

The four well-known advan-
tages of the ES-4 cutting ring
in steel work in the same way
as for the ES-4 VA cutting ring.

1. Basis is the well-approved
VOSS 2S cutting ring.
2. Additional sealing in the
secondary zone – Soft seal
made of FPM (e.g. Viton®)
as standard between cut-
ting and sud. Metal laby-
rinth seal effect between
cutting ring and tube.
3. Chambering of the soft
seal against wear-out
effects at pressure pulsa-
tion – for maximum lifetime
of the elastomer.
4. Safe assembly thanks to
mechanical stop – over
and under assemblies are
practically impossible.

Both cutting rings can be
mounted with the standard
VOSS pre-assembly machines.
Please contact VOSS for the
related mounting instructions.

Stainless steel couplings are
offered by VOSS for the
systems VOSSForm^{SOR} and
BV-10. Full information can
be sent out on request.

VOSS

VOSS Fluid GmbH + Co. KG
Postfach 15 40
D-51679 Wipperfürth

Lüdenscheider Straße 52-54
D-51688 Wipperfürth

Phone: + 49 22 67 63-0
Fax: + 49 22 67 63-56 01

E-Mail: fluid@voss.de
www.voss.de